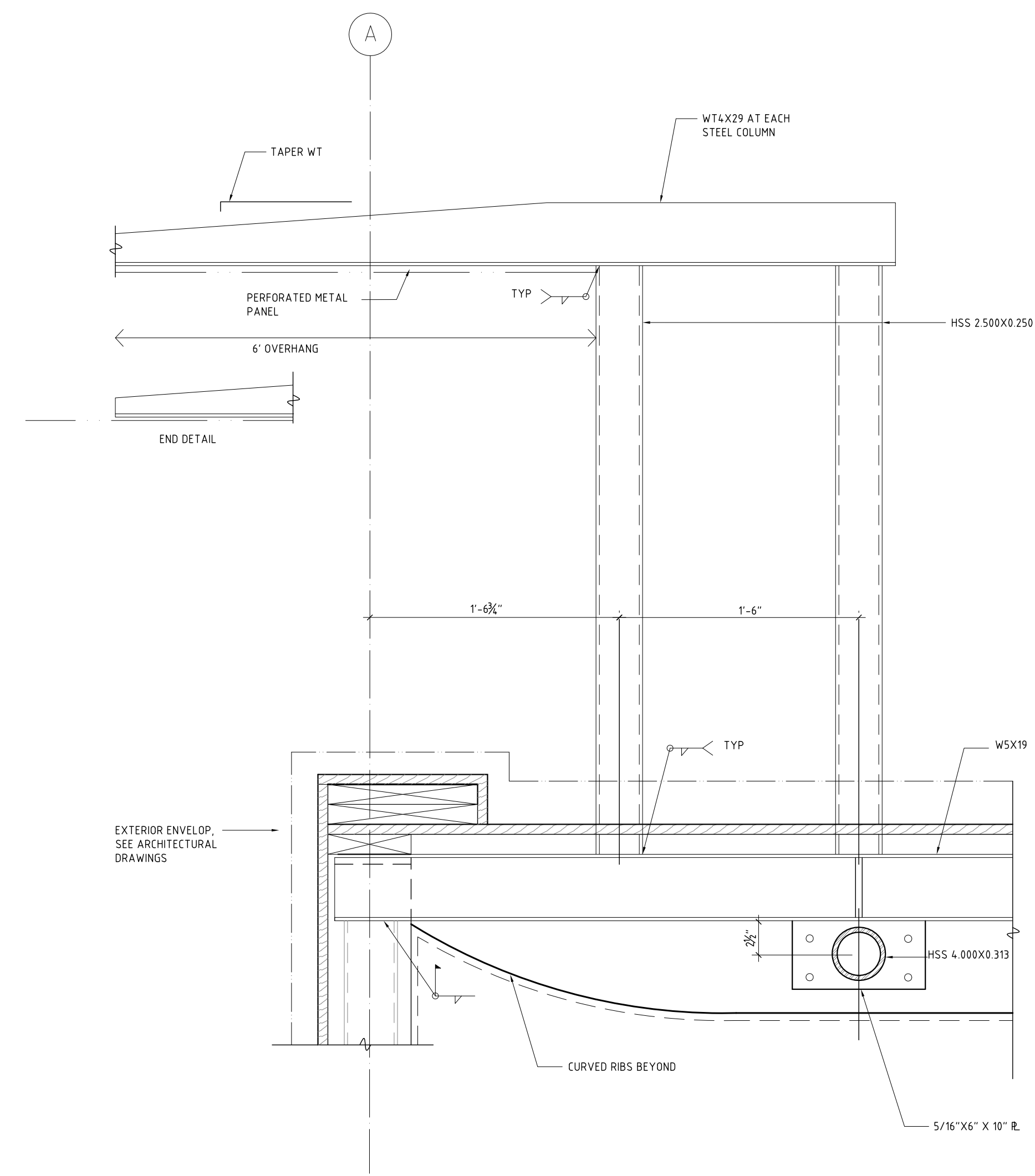
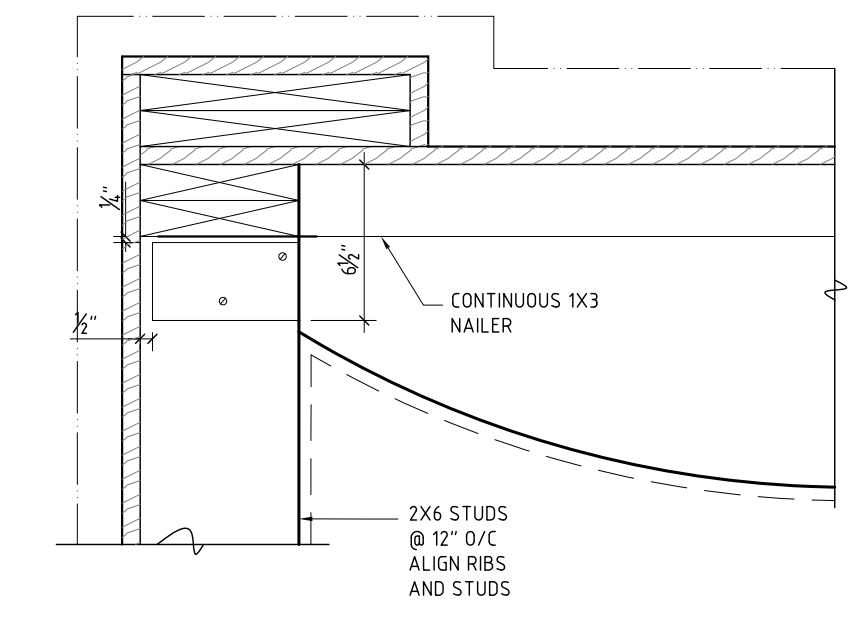


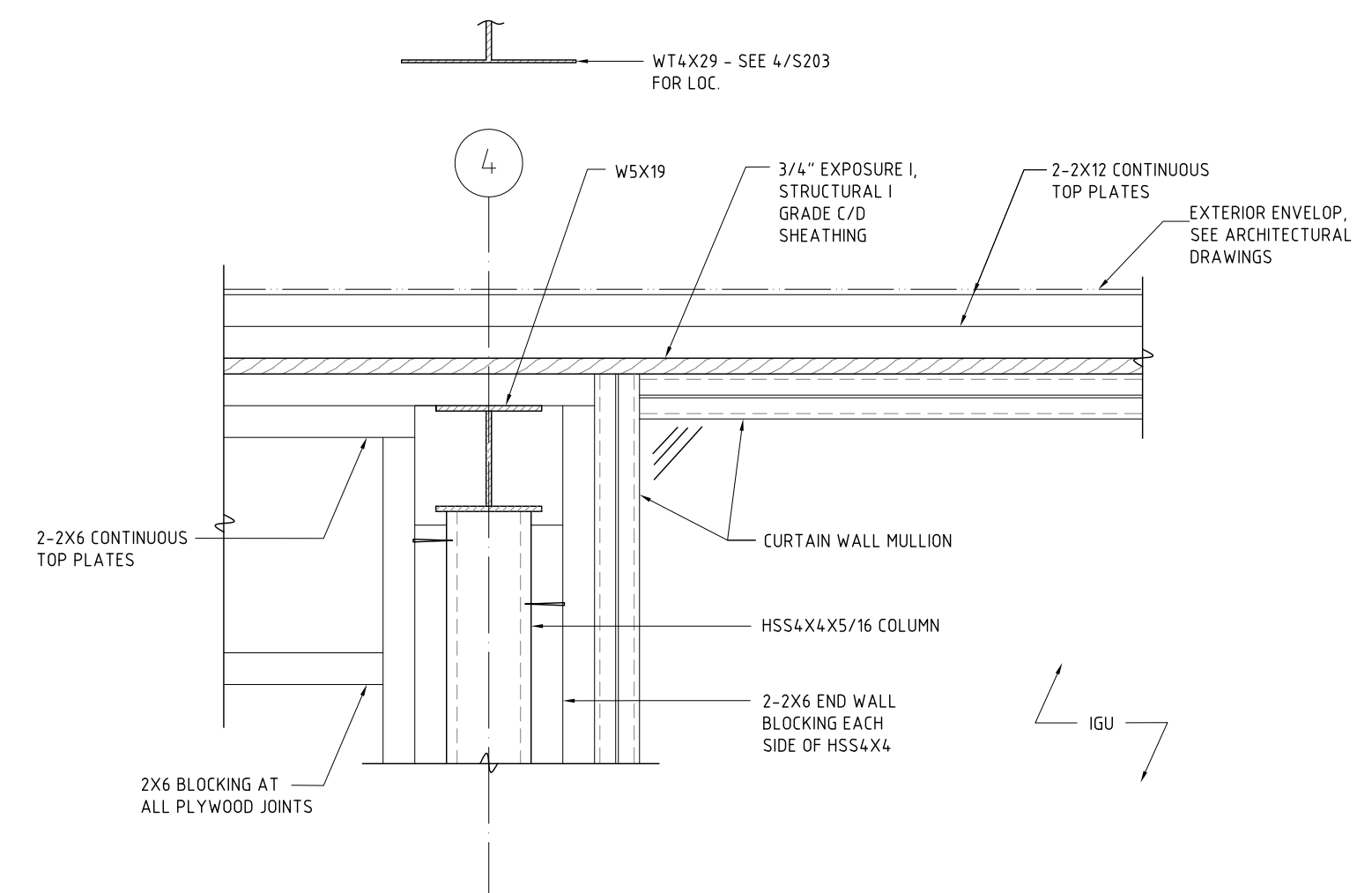
5 FRAMING SECTION
3" = 1'



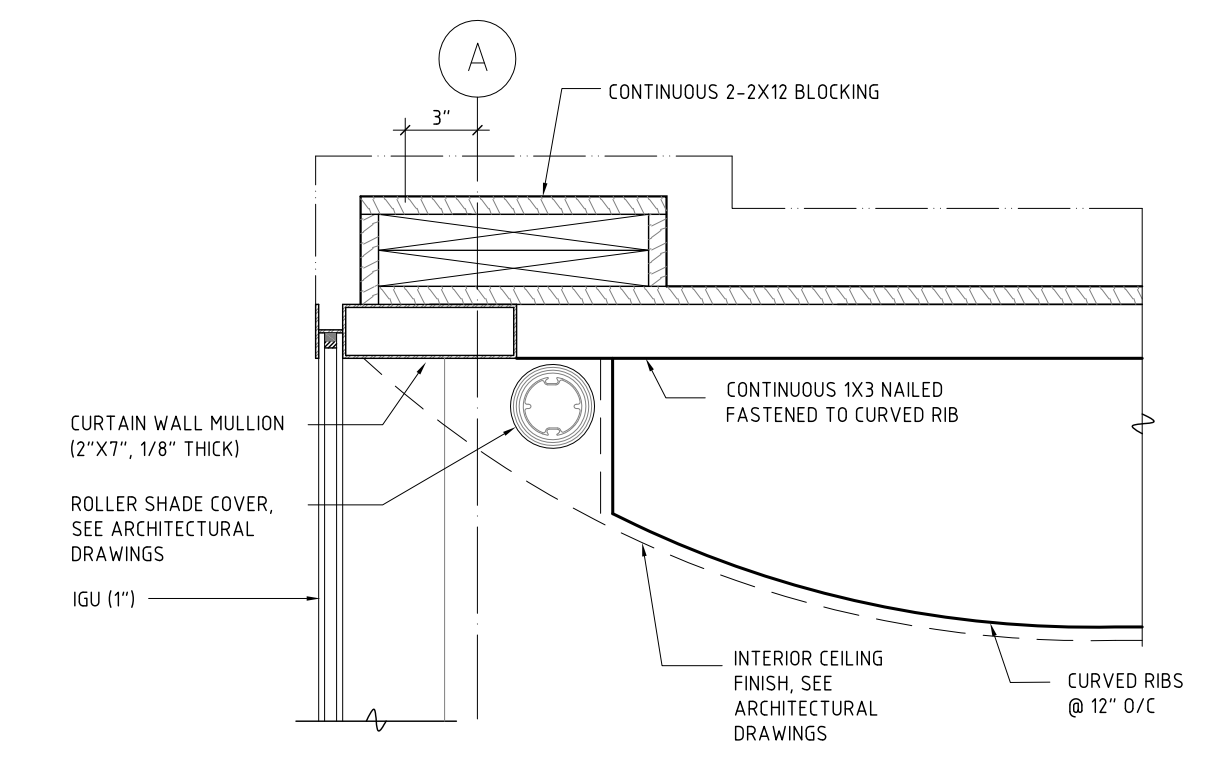
3 FRAMING SECTION
1 1/2" = 1'



2 FRAMING SECTION
1 1/2" = 1'



4 FRAMING ELEVATION DETAIL
1 1/2" = 1'



1 FRAMING SECTION
1 1/2" = 1'

PROJECT:
Travers-Smith Residence

PROJECT ADDRESS:
119 PARK AVENUE
ARLINGTON, MA 02476

DWG TITLE:
FRAMING SECTIONS

SCALE & SIGNATURE:

DATE: 21 JUNE 2011
PROJECT No.: 1012
DWG BY: WW, BB, CC, LM
CHK BY: JH
DWG No.:

S-203
DOB No.: PAGE No.: