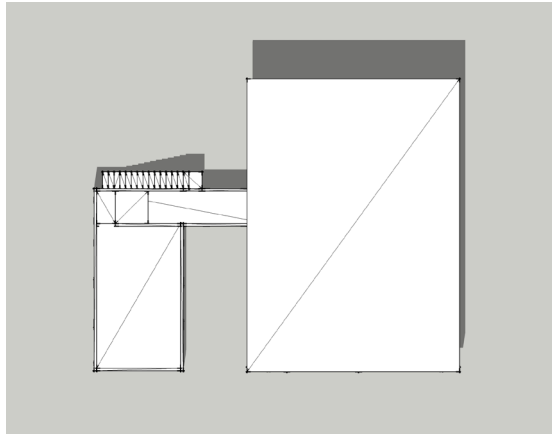
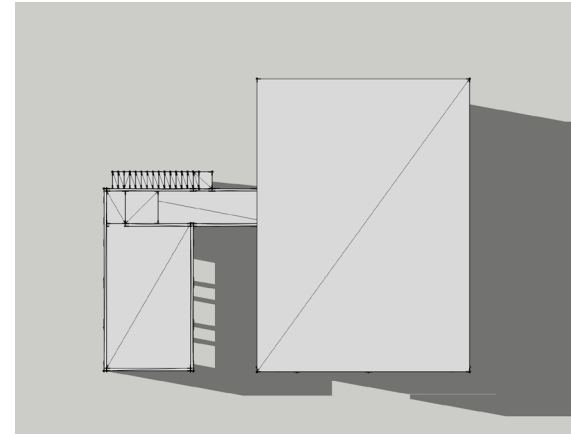


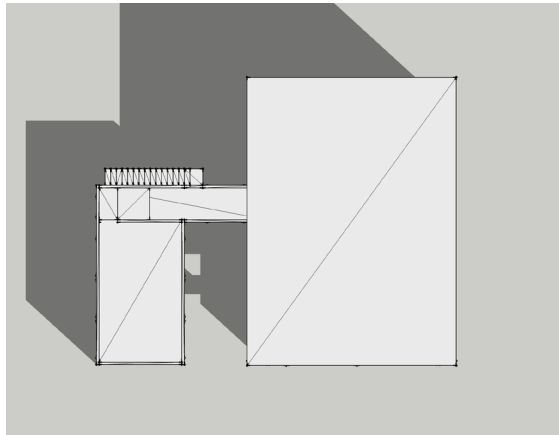
July 01 9am



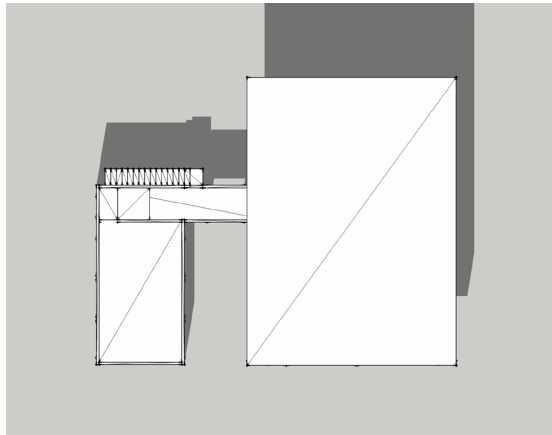
July 01 12pm



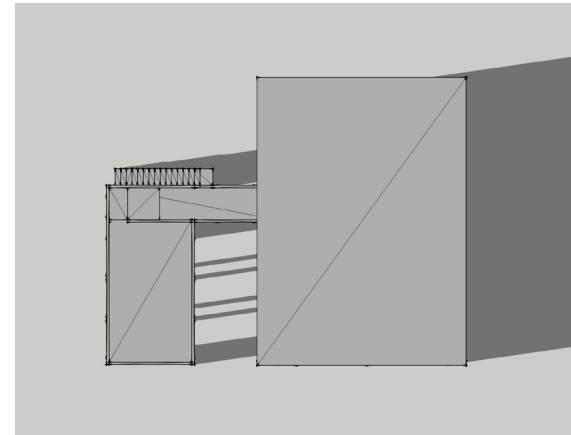
July 01 5pm



October 01 9am

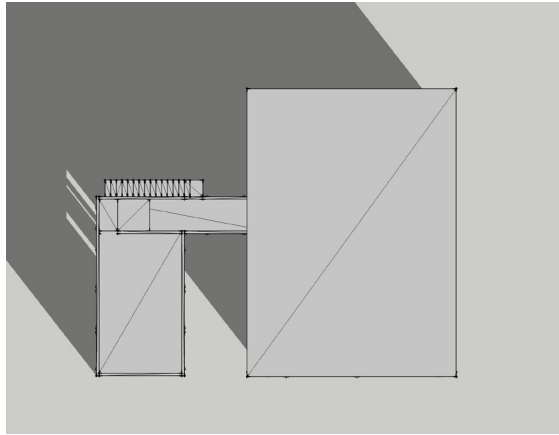


October 01 12pm

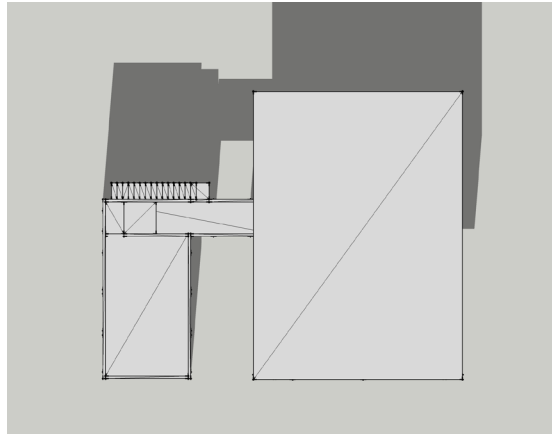


October 01 5pm

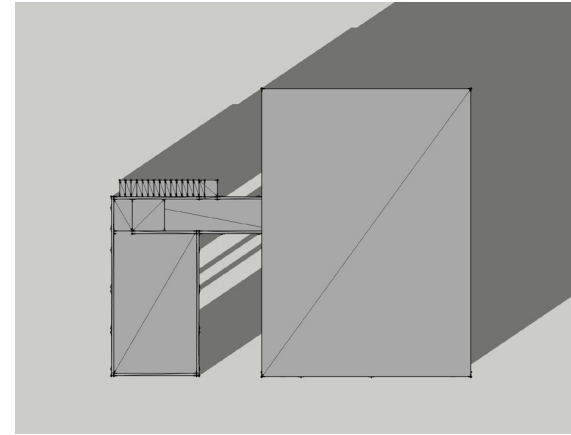
<b>SSD</b> 171 BROOKLINE ST.   CAMBRIDGE MA 02139 T 617.576.9300 F 866.677.3878 www.ssdarchitecture.com	SHEET TITLE: <b>Courtyard Sun Study</b>	DATE: <b>20 December 2010</b>	SD-08
	PROJECT: <b>119 PARK</b>	JOB NO.: <b>1012</b>	SCALE:



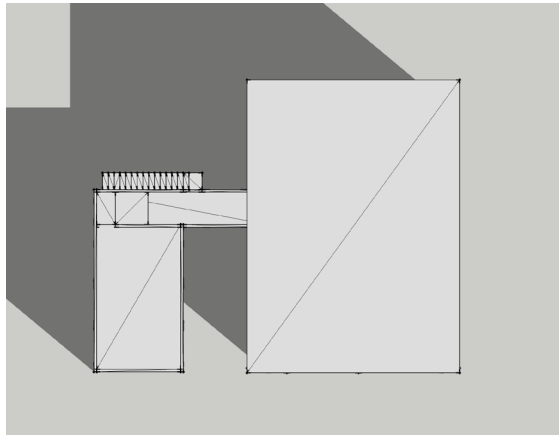
December 20 9am



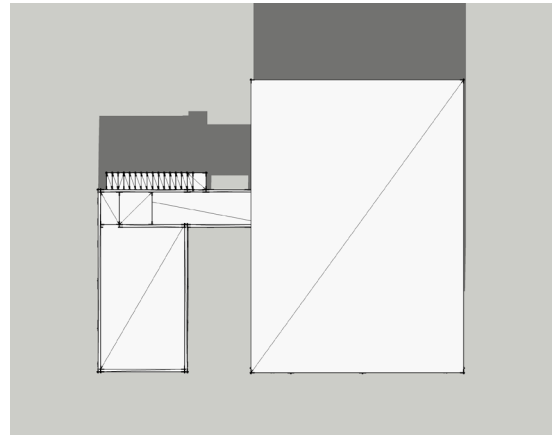
December 20 12pm



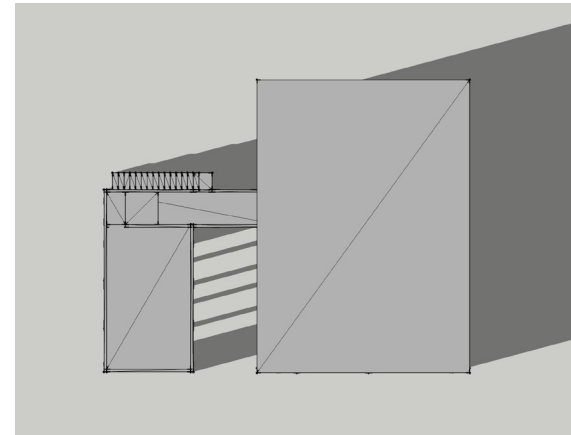
December 20 4pm



March 01 9am



March 01 12pm



March 01 5pm

<b>S S D</b> 171 BROOKLINE ST.   CAMBRIDGE MA 02139 T 617.576.9300 F 866.677.3878 <a href="http://www.ssdarchitecture.com">www.ssdarchitecture.com</a>	SHEET TITLE: <b>Courtyard Sun Study</b>	DATE: <b>20 December 2010</b>	SD-09
	PROJECT: <b>119 PARK</b>	JOB NO.: <b>1012</b>	SCALE: