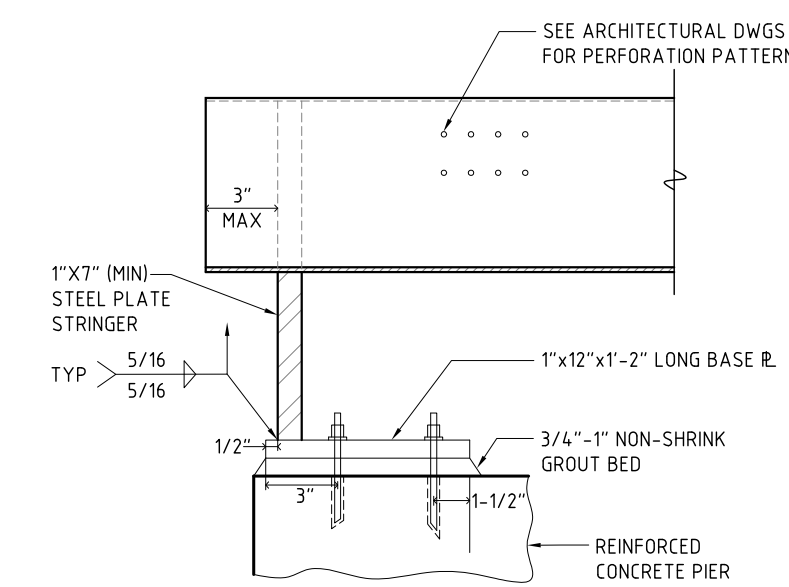
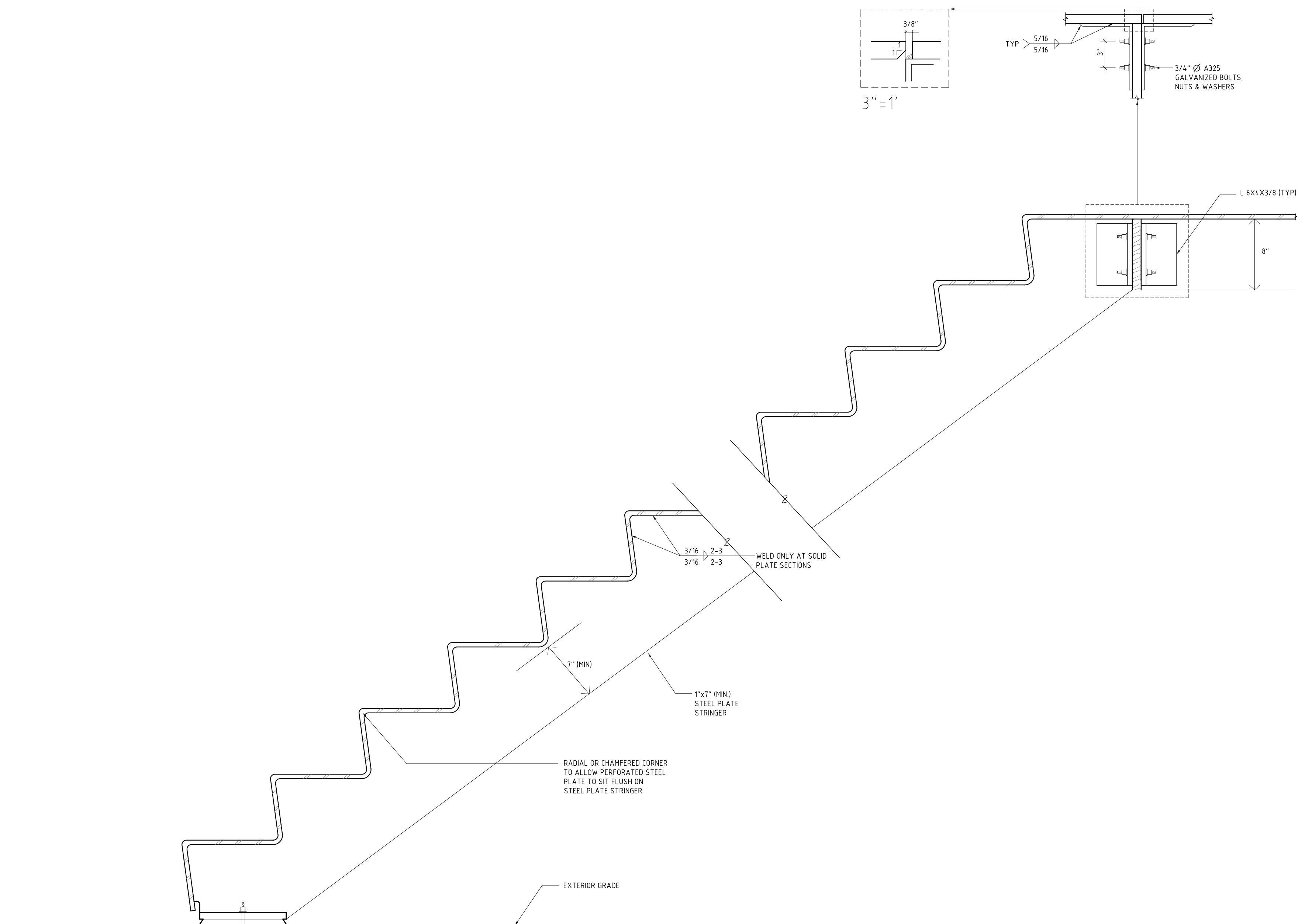


3 SECTION
3/4"=1'



2 SECTION
1-1/2\"/>



1 SECTION
1-1/2\"/>

PROJECT:
Travers-Smith Residence

PROJECT ADDRESS:
119 PARK AVENUE
ARLINGTON, MA 02476

DWG TITLE:

STAIR DETAILS

SEAL & SIGNATURE:

DATE: 21 JUNE 2011
PROJECT No.: 1012
DWG BY: WW, BB, CC, LM
CHK BY: JH
DWG No.:

S-202

DOB No.: PAGE No.: